

**Hillrom**TMPST 300+
Precision Surgical Table

DO MORE FOR LESS WITH THE PST 300+ PRECISION SURGICAL TABLE

This versatile, easy-to-use table delivers a strong foundation to support the volume and variety of procedures you face every day. So you can help more people. Perform more specialized procedures. Spend more time with patients - and less time dealing with complex and expensive equipment. The PST 300+ helps you do more for less.



INTUITIVE

The table is easy to use with lightweight components, a self-aligning hook coupler system, a simple remote control and quick setup.



EFFICIENT

Modular design, ergonomic handling and 360° imaging help you streamline your workflow and see more patients, more quickly.*



VERSATILE

One table supports a range of positions across various surgical applications - helping you stretch your investment and expand your procedural offerings.



For more information, please contact
your Hillrom sales representative.

hillrom.com

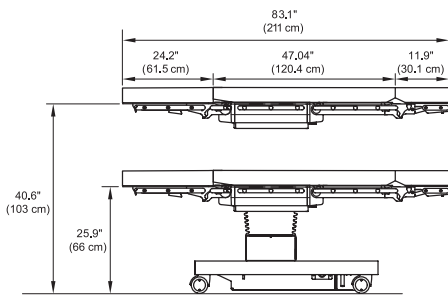
*360° imaging capability with specific carbon components.



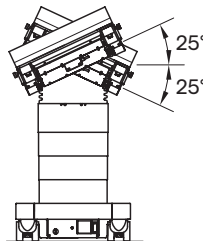
TECHNICAL SPECIFICATIONS

The PST 300+ is built to handle real-world surgical environments - including yours.

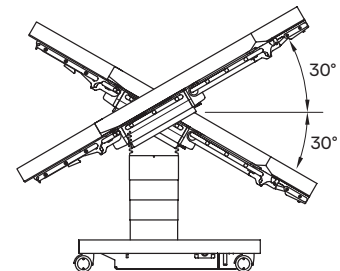
Patient Weight Capacity	1,000 lb (454 kg)
Net Table Weight	540 lb (245 kg)
Tabletop Dimensions (LxW)	83.1" L x 24.06" W (211 cm x 61 cm)
Height Adjustment	25.9" - 40.6" (±0.4) (66 cm - 103 cm (±1 cm))
Zero Positioning	Motorized leveling of all sections



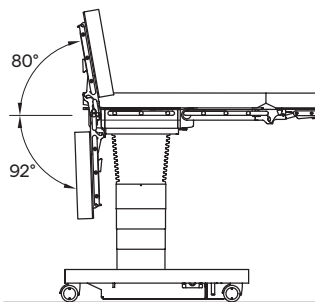
Height Adjustment



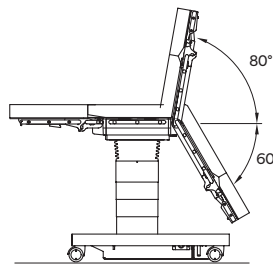
Tilt



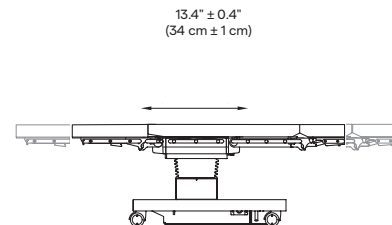
Trendelenburg / Reverse Trendelenburg



Leg Section Adjustment



Back Section Adjustment



Longitudinal Slide

For more information, please contact your Hillrom sales representative.

hillrom.com

130 E. Randolph St. Suite 1000, Chicago, IL 60601

Hill-Rom reserves the right to make changes without notice in design, specifications and models. The only warranty Hill-Rom makes is the express written warranty extended on the sale or rental of its products.