

Hillrom is a part of Baxter

Baxter



HillromTM



PST 300+
Precision Surgical Table



TO DO MORE FOR YOUR PATIENTS, EXPECT MORE FROM YOUR EQUIPMENT.

You know your surgical team will do what it takes to help every patient. But if you're relying on outdated, used or ill-suited equipment for more complex procedures, you could be risking efficiency at best—and patient safety at worst.

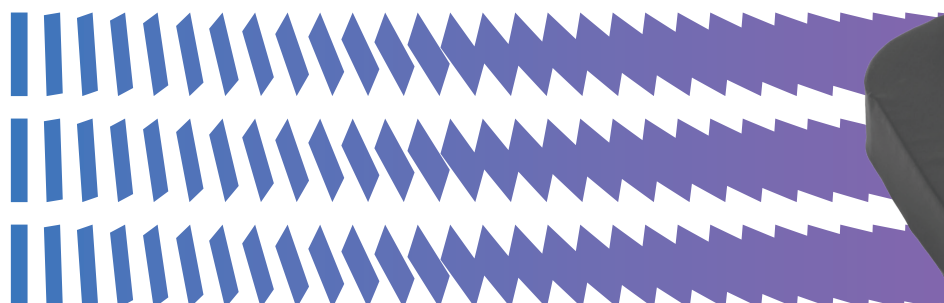
What if your equipment could help you do more—safely, efficiently and economically?

Meet the PST 300+ Precision Surgical Table from Hillrom.

This versatile, cost-effective table is easy to use as it delivers a strong foundation to support the volume and variety of procedures you face every day.

So you can help more people. Perform more specialized procedures. Spend more time with patients—and less time dealing with complex equipment.

The PST 300+ helps you do more for less.





INTUITIVE

The table is easy to use with lightweight components, a self-aligning hook coupler system, a simple remote control and quick setup.



EFFICIENT

Modular design, ergonomic handling and 360° imaging help you streamline your workflow and see more patients, more quickly.



VERSATILE

One table supports a range of positions across various surgical applications—helping you stretch your investment and expand your surgical offerings.



GENERAL SURGERY

SUPPORT MORE PATIENTS WITH MORE POSITIONS.

The PST 300+ is flexible to support the various surgical applications you perform every day. Simply choose the right configuration and accessories to provide the ideal surface for each procedure.



**GENERAL/
BARIATRIC**

Split leg for general
surgical procedures



CARDIOVASCULAR

Supine position for cardiovascular procedures, including high C-arm access



THYROID

Supine position for thyroid surgery



NEPHRECTOMY/THORACIC

Lateral position for kidney and thoracic surgery



GYNECOLOGY/UROLOGY

Lithotomy position for gynecological or urology surgery

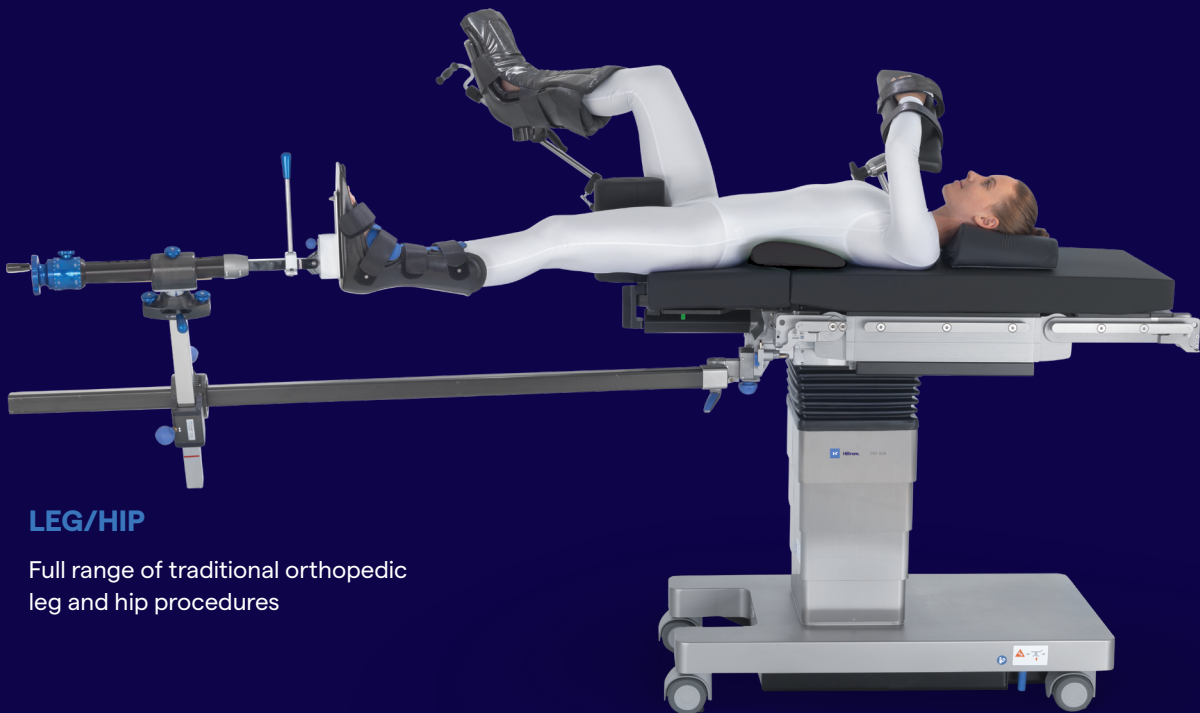


OPHTHALMOLOGY/ENT

Supine position with headrest system for ophthalmology and ENT surgery

ORTHOPEDICS

With the PST 300+, the table you use for general surgeries can also support numerous orthopedic procedures.



LEG/HIP

Full range of traditional orthopedic leg and hip procedures



SHOULDER

Beach chair position for arthroscopic shoulder surgery



KNEE

Supine with free access for arthroscopy



HAND

Supine position with flexible table attachment and 360° radiolucency for hand surgery

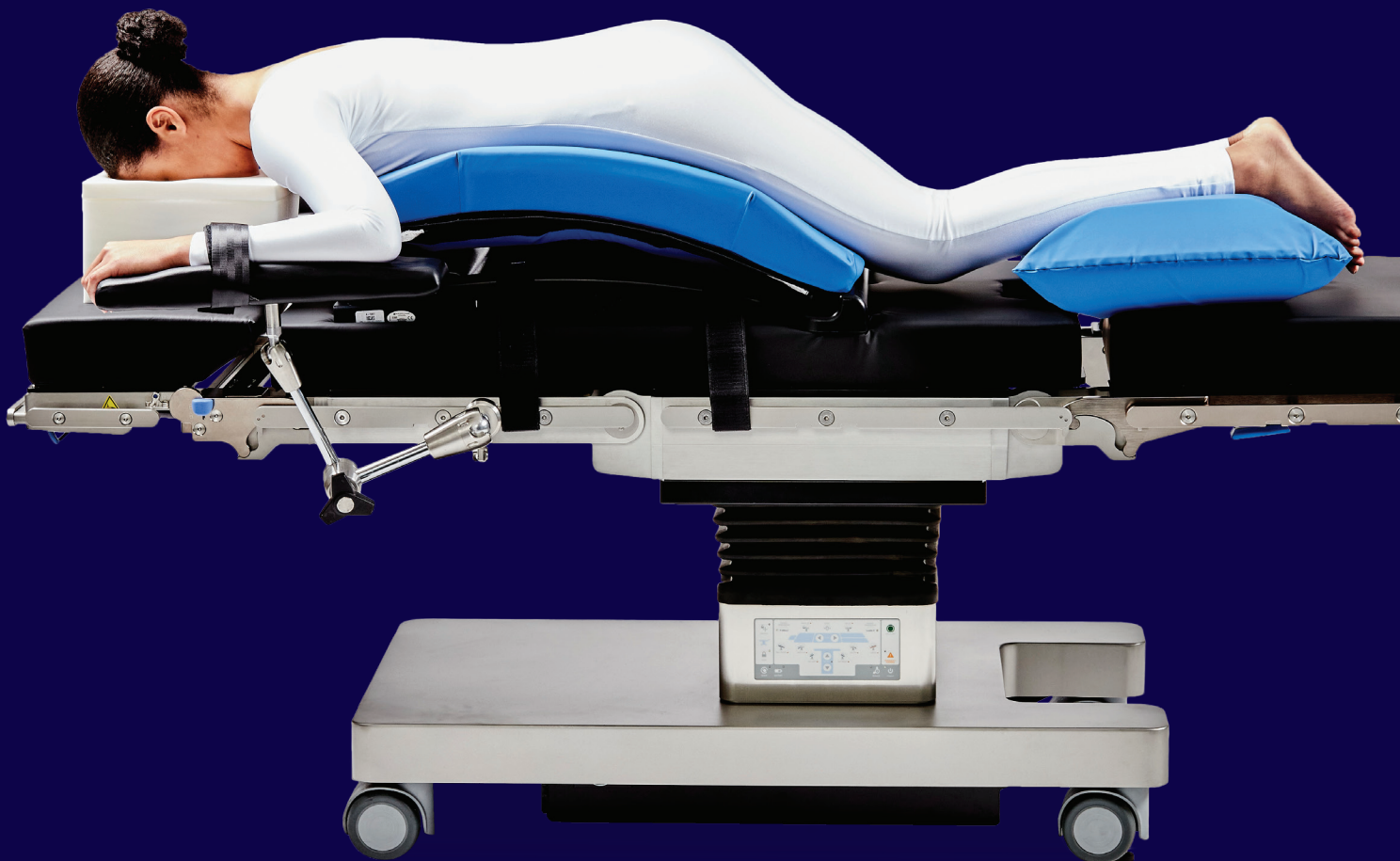


LEG

Extension unit with fracture set for tibia nailing and fractures

SPINE AND NEUROSURGERY

No need for specialized, single-function tables. The PST 300+ easily accommodates spine and neuro procedures with its flexible configurations and accessories.



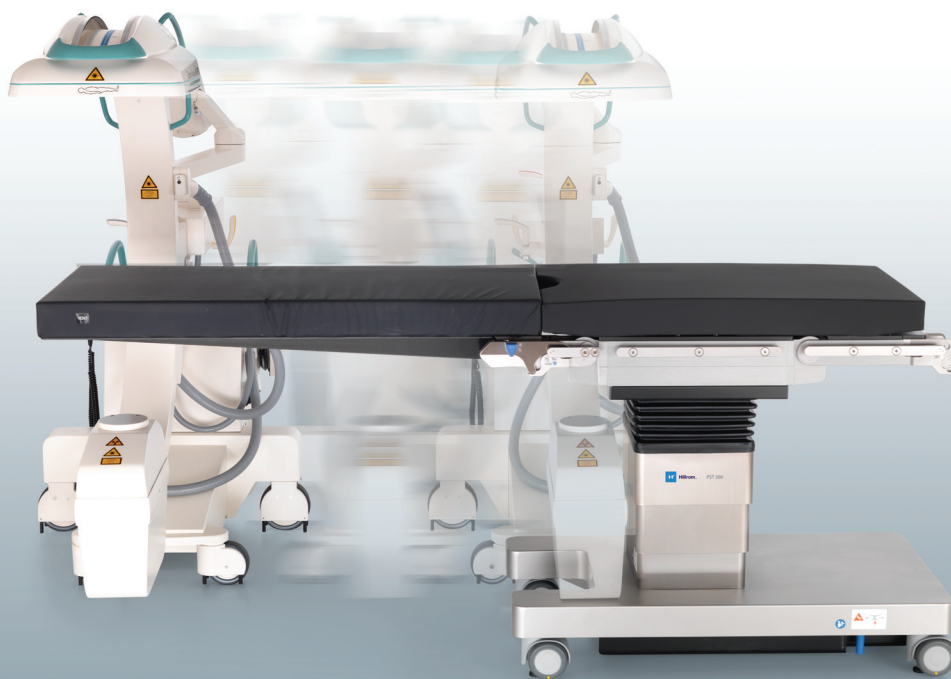
SPINE

360° full radiolucent table
components for spine surgery

360°

Imaging Made Simple

The table's radiolucent tabletop and carbon fiber equipment make 360° imaging simple—particularly for anterior and posterior X-rays. Plus, you can position a C-arm where you need it with convenient longitudinal sliding.



NEURO

3D imaging compatible table segment and skull clamp for neurosurgery



NEUROSURGERY

Sitting position with skull clamp to support posterior cranial surgeries

INTUITIVE BY DESIGN

We designed the PST 300+ to be easy to use, so your surgical team can focus on what counts—the patient in front of them.

Intuitive Design

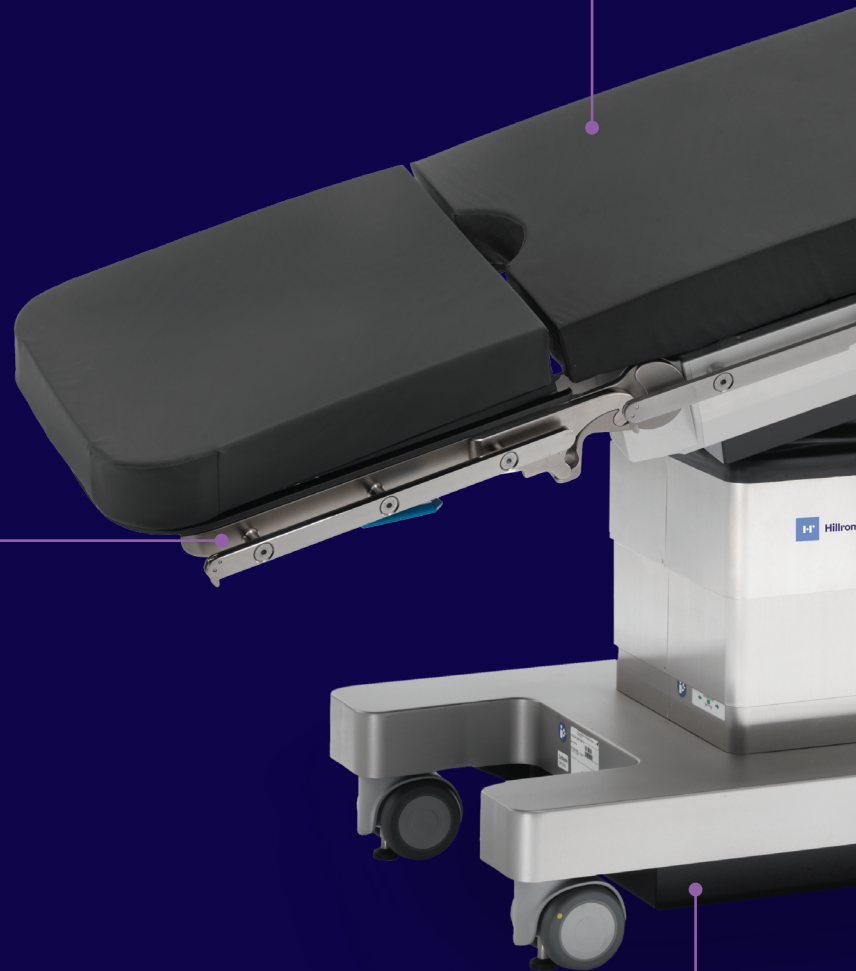
All operating elements are color-coded for quick access and ease of use.

Quick Setup

The table's lightweight components and self-aligning hook-coupling point system make setup and modifications quick and easy.

Easy to Move

Dual castors help you to easily move the table where you need it.





Motorized Functions

Motorized longitudinal slide, foot pedals and tilting capabilities remove the heavy lifting from your workflow.

Longitudinal Slide for Flexible C-Arm Access

13.4" motorized longitudinal slide enables easy imaging access.

Slim Design

Enjoy better ergonomics and access to your patient with under-base foot placement and C-arm accessibility.

Intuitive Remote Control

The backlit remote control is easy to use in low-light environments. Its icons, colors and symbols match those on the control column for simplicity and efficiency. Wired and wireless options available.



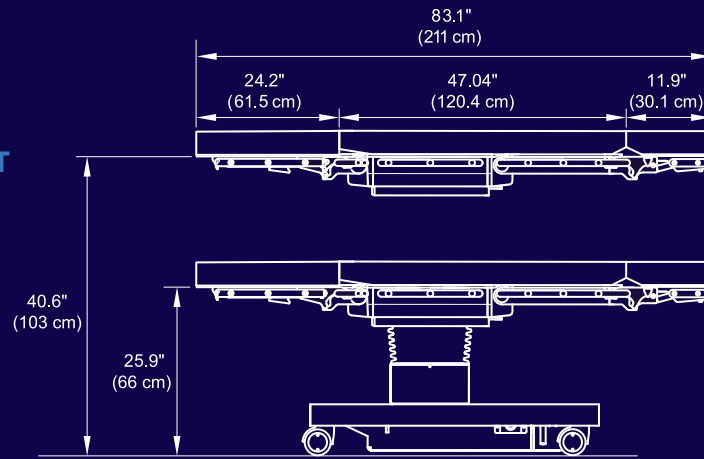
TECHNICAL SPECIFICATIONS

The PST 300+ is built to handle real-world surgical environments—including yours.

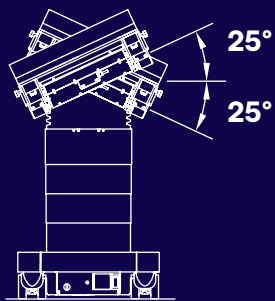
PST 300+ Precision Surgical Table

Tabletop dimensions	83.1" L x 24.06" W (211 cm L x 61 cm W)
Net table weight	540 lb (245 kg)
Height adjustment	25.9" - 40.6" (± 0.4 ") / 66 cm - 103 cm (± 1 cm)
Trendelenburg / reverse Trendelenburg	$\pm 30^\circ$ ($\pm 2^\circ$)
Tilt	$\pm 25^\circ$ ($\pm 2^\circ$)
Longitudinal slide	13.4" (± 0.4 ") / 34 cm (± 1 cm) head side: 7.7" (19.5 cm) / foot side: 5.7" (14.5 cm)
Adjustment range joint back section	+80° / -60° ($\pm 2^\circ$)
Adjustment range joint leg section	+80° / -92° ($\pm 2^\circ$)
Zero positioning	Motorized leveling of all sections
Maximum overall load	1,000 lb (454 kg)
Compatible foot end accessories	22
Compatible head end accessories	10

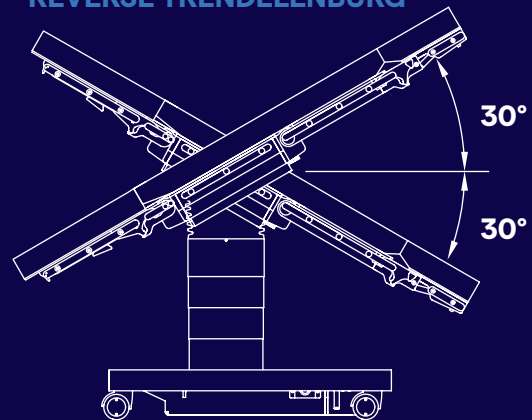
HEIGHT ADJUSTMENT



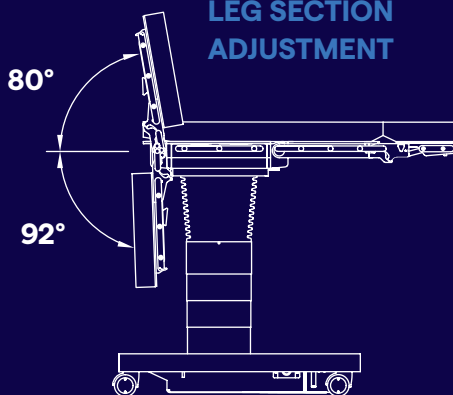
TILTING



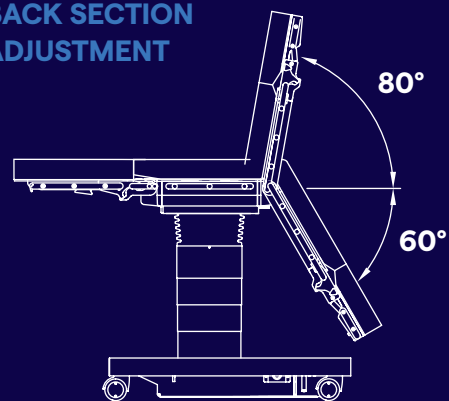
TRENDELENBURG/ REVERSE TRENDELENBURG



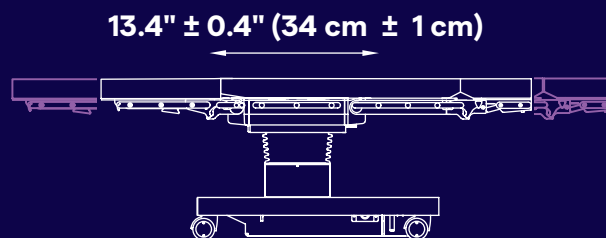
LEG SECTION ADJUSTMENT



BACK SECTION ADJUSTMENT



LONGITUDINAL SLIDE



MORE PERFORMANCE. EXPERT MAINTENANCE. READY WHEN YOU ARE.

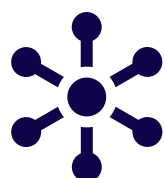
Building upon Hillrom's strong surgical legacy, the PST 300+ features high-quality engineering—at a budget-friendly price.

- Intuitive design supports easy, fast setup
- Column and base are easy to access when service is needed
- Double-jointed castors make the table easy to move, adjust and fix in place, even on unlevel ground

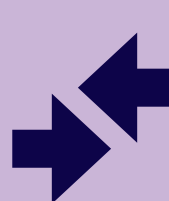
And when you need extra help, you can count on Hillrom's best-in-class service team for expert support and fast response times.



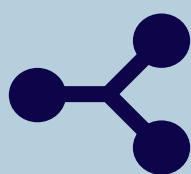
The PST 300+ does more. So you can do more for less.



**VARIOUS
SURGICAL
APPLICATIONS**
across a range of positions



50+
**COMPATIBLE
ACCESSORIES**



3rd Party
ACCESSORY COMPATIBLE



ABOUT HILLROM

Hillrom is a global medical technology leader whose 10,000 employees have a single purpose: enhancing outcomes for patients and their caregivers by advancing connected care. Around the world, our innovations touch over 7 million patients each day. They help enable earlier diagnosis and treatment, optimize surgical efficiency and accelerate patient recovery while simplifying clinical communication and shifting care closer to home. We make these outcomes possible through connected smart beds, patient lifts, patient assessment and monitoring technologies, caregiver collaboration tools, respiratory care devices, advanced operating room equipment and more, delivering actionable, real-time insights at the point of care. Learn more at hillrom.com.

For more information, please contact your local or Hillrom sales representative.

hillrom.com

130 E. Randolph St. Suite 1000, Chicago, IL 60601

Hill-Rom reserves the right to make changes without notice in design, specifications and models. The only warranty Hill-Rom makes is the express written warranty extended on the sale or rental of its products..

© 2022 Hill-Rom Services, Inc. ALL RIGHTS RESERVED. APR272806 rev 2 02-MAR-2022 ENG - US